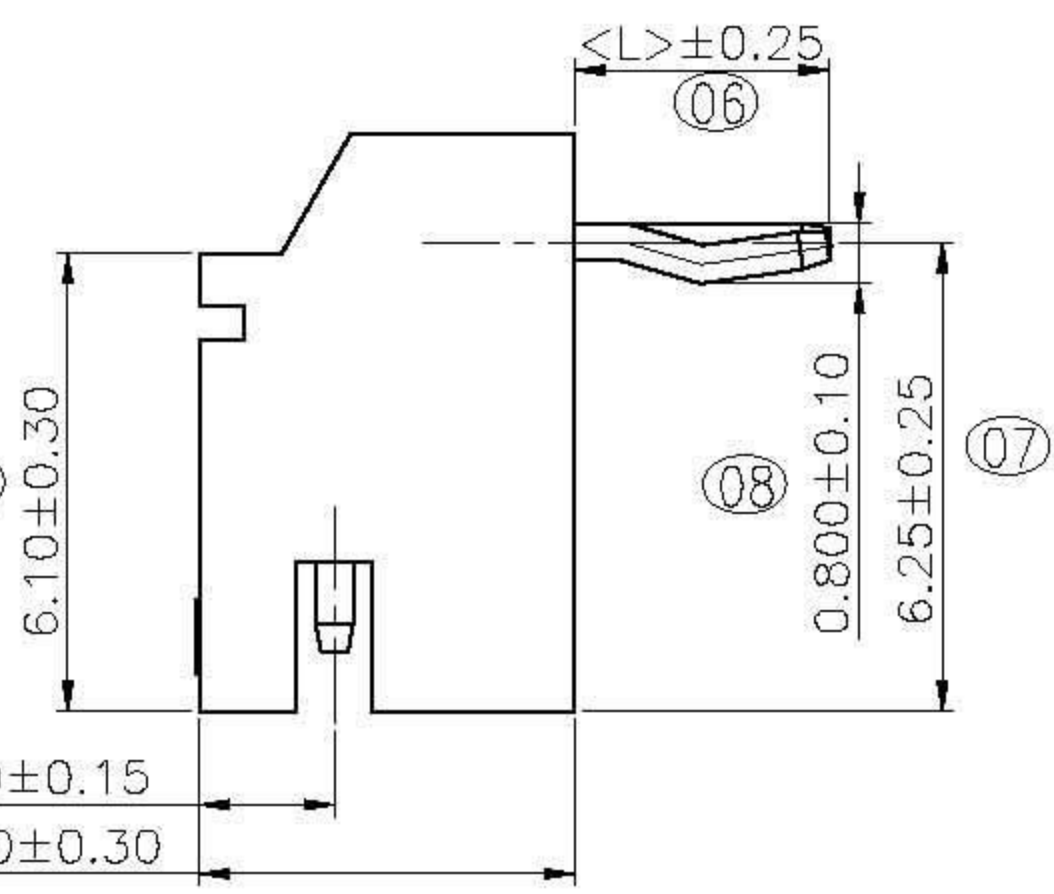


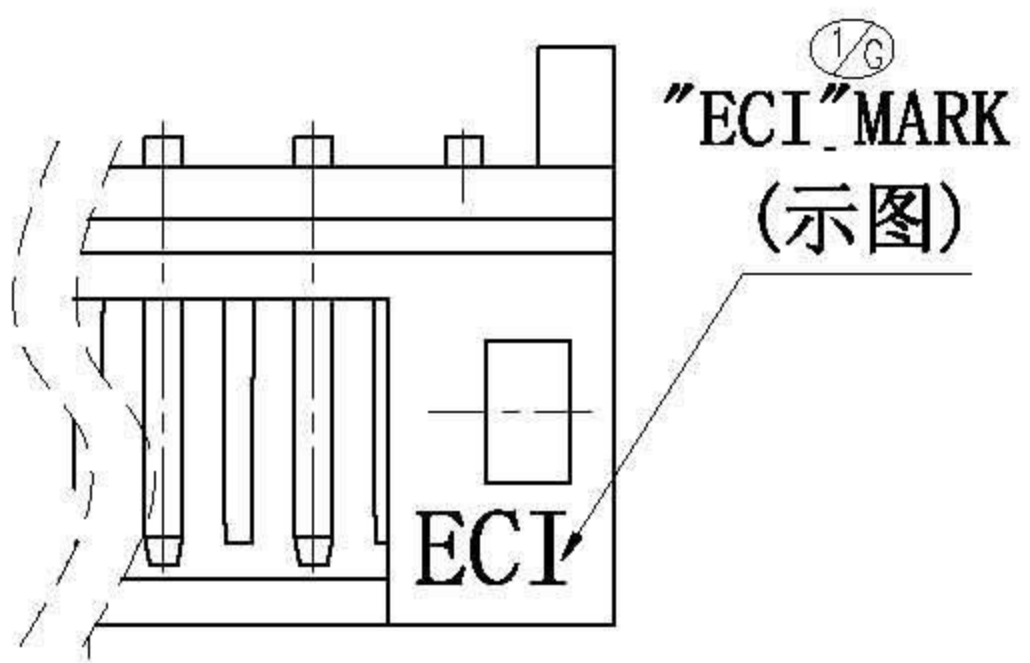
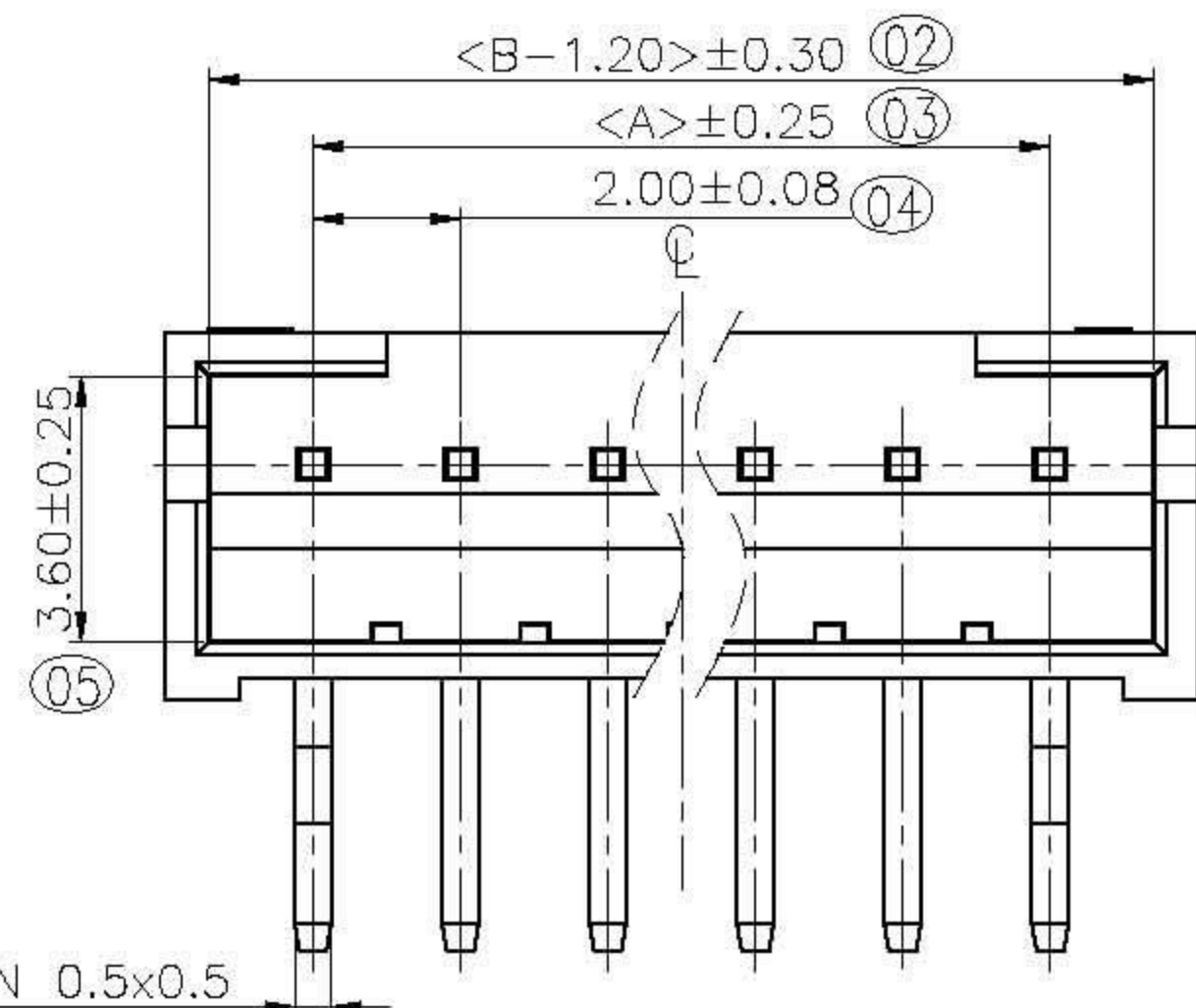
模穴号 (09)



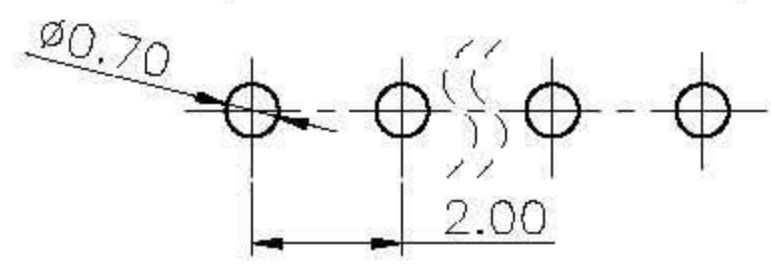
NOTES:

- CURRENT RATING: 2A AC/DC.
- VOLTAGE RATING: 100V AC/DC.
- TEMPERATURE RANGE: -25° C~+85° C.
- CONTACT RESISTANCE: 20mΩ MAX.
- INSULATION RESISTANCE: 1000MΩ MIN.
- WITHSTANDING VOLTAGE: 800V AC MINUTE.

Dim "L"	3.40±0.25mm
	2.80±0.25mm
	2.30±0.25mm



Recommended P.C.B Layout(Top Side)
P.C.B Thickness = 1.20-1.60mm
(Tolerance=±0.05)



PART NO.	Dimensions	
	A	B
WF2000R02	2.00	6.00
WF2000R03	4.00	8.00
WF2000R04	6.00	10.00
WF2000R05	8.00	12.00
WF2000R06	10.00	14.00
WF2000R07	12.00	16.00
WF2000R08	14.00	18.00
WF2000R09	16.00	20.00
WF2000R10	18.00	22.00
WF2000R11	20.00	24.00
WF2000R12	22.00	26.00
WF2000R13	24.00	28.00
WF2000R14	26.00	30.00
WF2000R15	28.00	32.00
WF2000R16	30.00	34.00

GXCON ENTERPRISE CO., LTD

DRAW NO.		DATE		P/N NO:		DRAW NAME:	
DESIGN:				WF200RXX		PH2.0 90° DIP Wafer	
CHECK:				REV. H		SCALE 1:1	
REVIEW:				UNIT: mm		SHEET: 1 OF 1	

DIM	TOL	DIM	TOL
X.	/	X'	/
X.X	±0.25	X.X'	±2'
X.XX	±0.20	X.XX'	±1'
X.XXX	±0.10	X.XXX'	/